

MUSELED PRO 

LED linear LIGHT SPECIFICATION

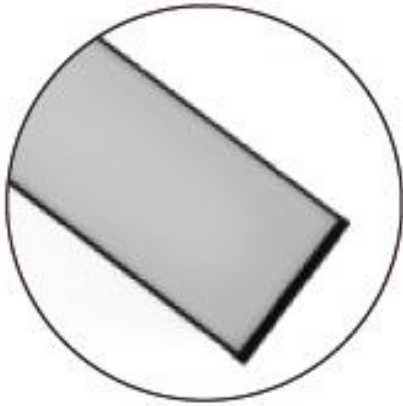
LIN7550D



V1.0

LIN7550D

Features:



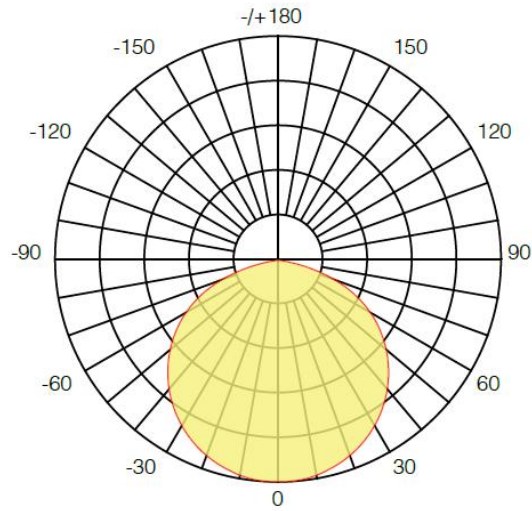
- 70mm big size lighting for big space.
- Up to 50W,4600lm for high ceiling target lighting.
- External driver, flexible on freely-connection design.
- Cost-effective design.

Electrical and photometric parameter:

Item No.	Dimension (mm)	Watt (W)	Voltage (VAC)	Ra	Beam Angle	CCT	Lumen (LM)
LIN7550D-30-9WW12	1208 x 75 x 50	30W	220-240VAC	>90	105°	3000K	2700lm
LIN7550D-30-9NW12	1208 x 75 x 50	30W	220-240VAC	>90	105°	4000K	2790lm
LIN7550D-37-9NW12	1208 x 75 x 50	37W	220-240VAC	>90	105°	3000K	3330lm
LIN7550D-37-9NW12	1208 x 75 x 50	37W	220-240VAC	>90	105°	4000K	3441lm
LIN7550D-30-9WW15	1508 x 75 x 50	30W	220-240VAC	>90	105°	3000K	2700lm
LIN7550D-30-9NW15	1508 x 75 x 50	30W	220-240VAC	>90	105°	4000K	2790lm
LIN7550D-37-9WW15D	1508 x 75 x 50	37W	220-240VAC	>90	105°	3000K	3330lm
LIN7550D-37-9NW15D	1508 x 75 x 50	37W	220-240VAC	>90	105°	4000K	3441lm
LIN7550D-50-9WW15D	1508 x 75 x 50	50W	220-240VAC	>90	105°	3000K	4500lm
LIN7550D-50-9NW15D	1508 x 75 x 50	50W	220-240VAC	>90	105°	4000K	4650lm

LIN7550D

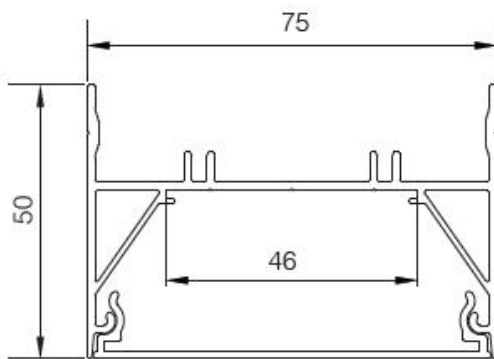
Beam Angle :



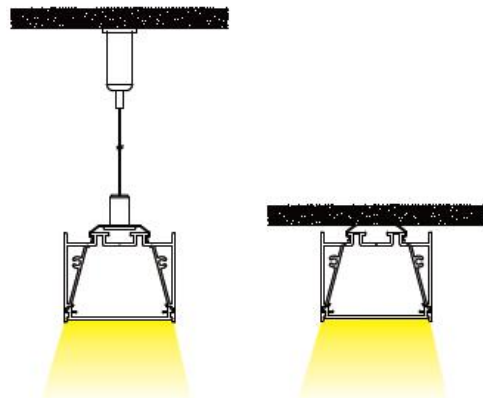
Structure specification :

Light source	Epistar chips	Finish Color	White,Black,Silver
Driver	External, Lifud/Boke	Installation	Pendant
Materials	Aluminum	Dim type	Non-dim/0-10V //Dali
Optics	PC diffuser	IP	IP22

Dimension and Installation



Unit: mm



LIN7550D

Accessories



Pendant kit



Ceiling mounted kit

Package:

Item No.	Product Dimension (mm)	Qty per carton	Product N.W/pc (Kg)	N.W/ CTN (Kg)	G.W/ CTN (Kg)	Carton dimension (CM)
LIN7550D-XX-XXX12	1208 x 75 x 50	6	1.58	9.5	11.5	127*28*19
LIN7550D-XX-XXX15	1508 x 75 x 50	6	1.75	10.5	12	157*28*19