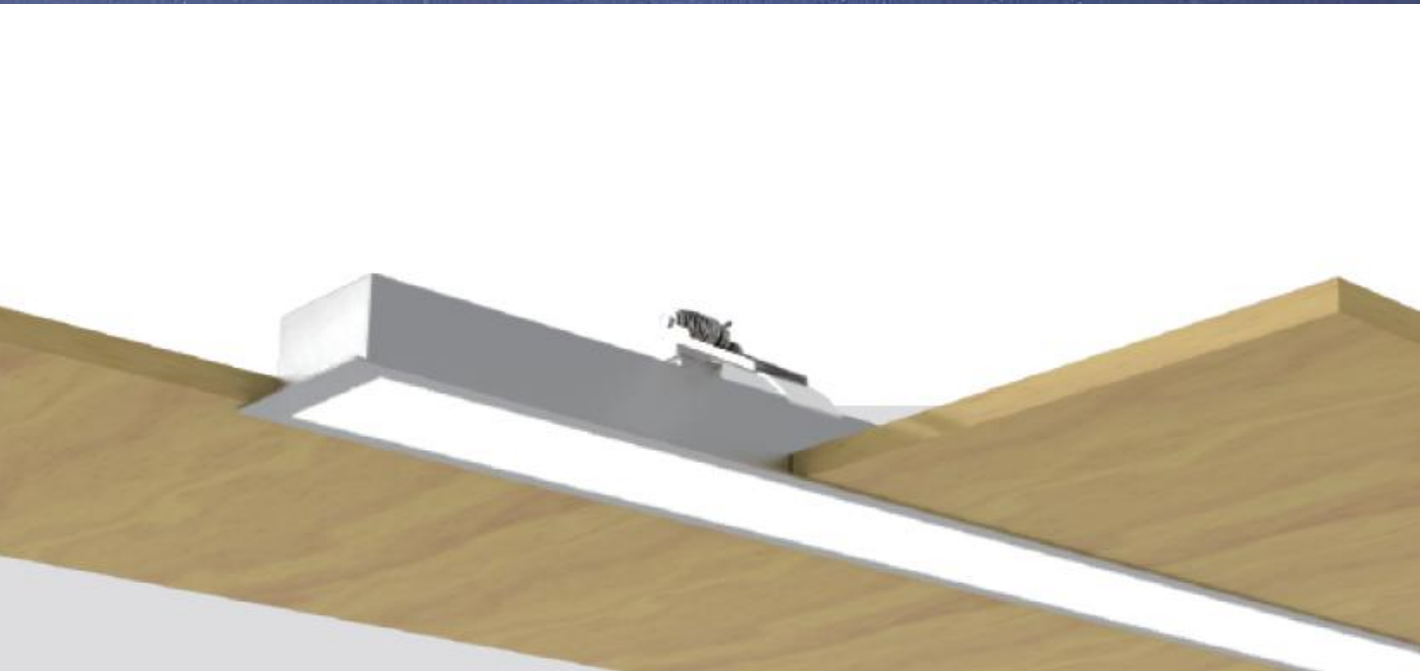


MUSELED PRO 

LED linear LIGHT SPECIFICATION

LIN6741RP



V1.0

LIN6741RP

Features:



- Recessed solution is providing simplicity in its application

- Comfortable lighting via prismatic lens.

- 50m continuous lighting available via silicone cover.

- Even lighting via premium cover and LED layout.

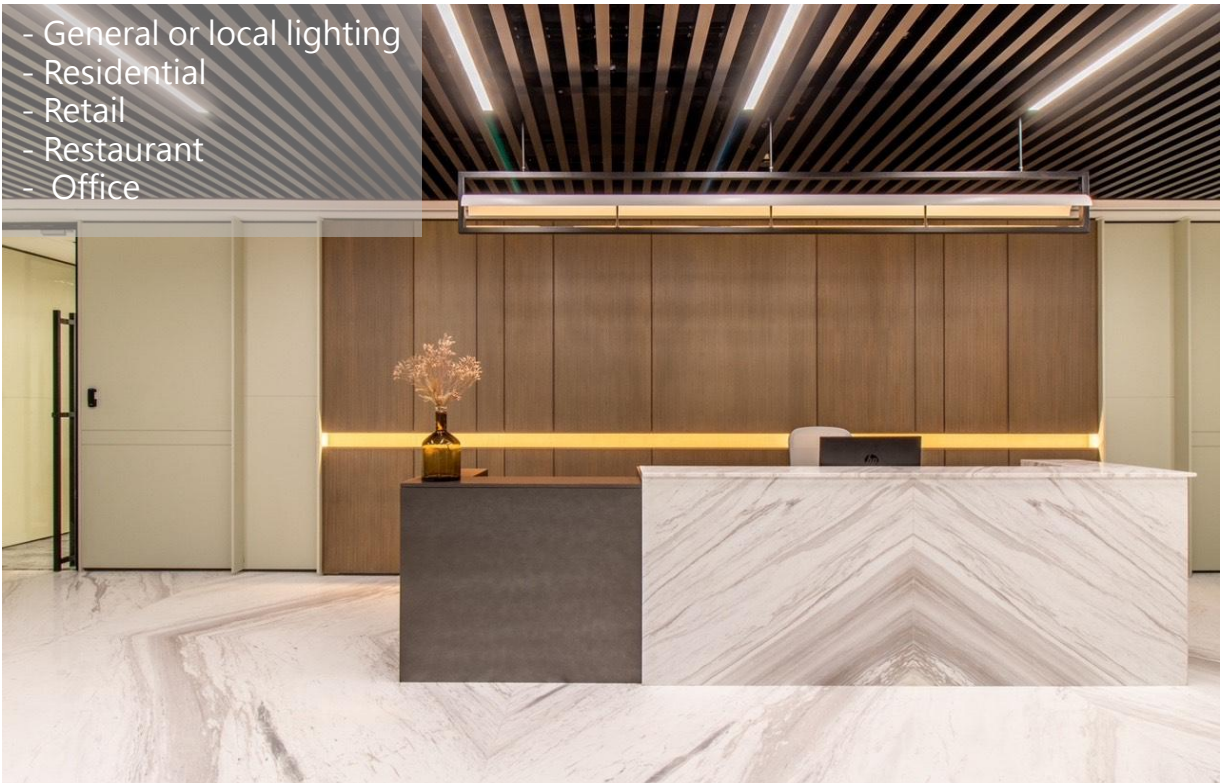


RoHS



Inspiration:

- General or local lighting
- Residential
- Retail
- Restaurant
- Office



led linear light

LIN6741RP

Electrical and photometric parameter:

Typical : 105lm/W

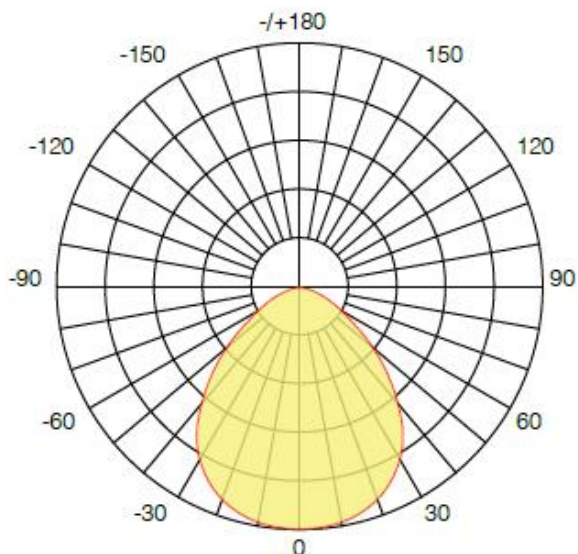
Item No.	Dimension (mm)	Watt (W)	Voltage (VAC)	Ra	Beam Angle	CCT	Lumen (LM)
LIN6741RP-15-9WW12	1222 x 67 x 41	15W	220-240VAC	>90	85°	3000K	1575lm
LIN6741RP-15-9NW12	1222 x 67 x 41	15W	220-240VAC	>90	85°	4000K	1622lm
LIN6741RP-27-9WW12	1222 x 67 x 41	27W	220-240VAC	>90	85°	3000K	2835lm
LIN6741RP-27-9NW12	1222 x 67 x 41	27W	220-240VAC	>90	85°	4000K	2920lm
LIN6741RP-35-9WW12	1222 x 67 x 41	35W	220-240VAC	>90	85°	3000K	3675lm
LIN6741RP-35-9NW12	1222 x 67 x 41	35W	220-240VAC	>90	85°	4000K	3785lm
LIN6741RP-27-9WW15	1522 x 67 x 41	27W	220-240VAC	>90	85°	3000K	2835lm
LIN6741RP-27-9NW15	1522 x 67 x 41	27W	220-240VAC	>90	85°	4000K	2920lm
LIN6741RP-36-9WW15	1522 x 67 x 41	36W	220-240VAC	>90	85°	3000K	3780lm
LIN6741RP-36-9NW15	1522 x 67 x 41	36W	220-240VAC	>90	85°	4000K	3893lm
LIN6741RP-45-9WW15	1522 x 67 x 41	45W	220-240VAC	>90	85°	3000K	4725lm
LIN6741RP-45-9NW15	1522 x 67 x 41	45W	220-240VAC	>90	85°	4000K	4867lm

Remarks:

- 1.The value is typical,10% tolerance is allowed.
2. 2700K, 6000K, CCT solution is available.
- 3.Customizing length is supported.

LIN6741RP

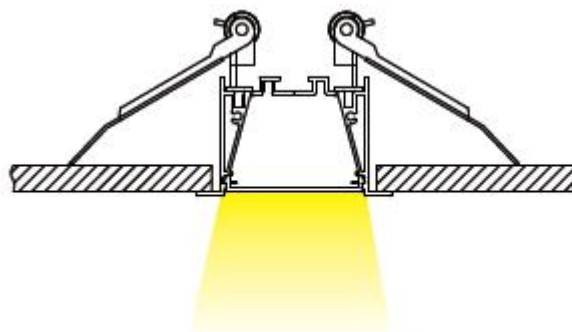
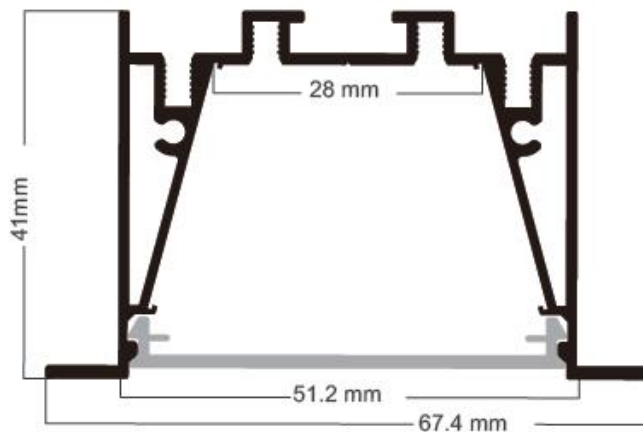
Beam Angle :



Structure specification :

Light source	Epistar chips	Finish Color	White,Black,Silver
Driver	External, Lifud/Boke	Installation	Trim Recessed
Materials	Aluminum	Dim type	Non-dim/0-10V //Dali
Optics	Prismatic lens	IP	IP22

Dimension and Installation



LIN6741RP

Accessories



Recessed kit



Silicone cover

Package:

Item No.	Product Dimension (mm)	Qty per carton	Product N.W/pc (Kg)	N.W/ CTN (Kg)	G.W/ CTN (Kg)	Carton dimension (CM)
LIN6741RP-XX-XXX12	1222 x 51 x 67	12	1.08	13	14.5	123*67*42
LIN6741RP-XX-XXX15	1522 x 51 x 67	8	1.32	10.5	12	153*67*42