

MUSELED PRO 

# LED linear LIGHT SPECIFICATION

LIN3536G



V1.0

## Features:

- UGR<16, anti-glare,
- 35mm light-emitting surface offers a modern, streamlined appearance that enhances any space.
- Multiple optics solutions,
- Cost-effective



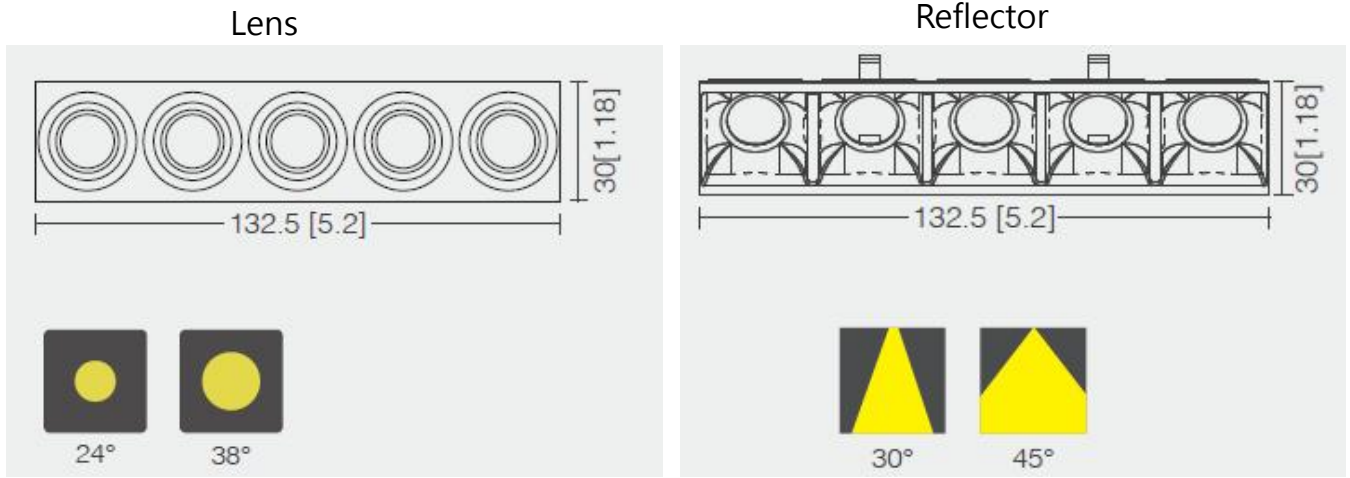
## Electrical and photometric parameter:

Item No.	Dimension (mm)	Watt (W)	Voltage (VAC)	Ra	Beam Angle	CCT	Lumen (LM)
LIN3536G1-25-9WW12	1208 x 35 x 35.6	25W	220-240VAC	>90	Lens 24°	3000K	2150lm
LIN3536G1-25-9NW12	1208 x 35 x 35.6	25W	220-240VAC	>90	Lens 24°	4000K	2250lm
LIN3536G2-25-9WW12	1208 x 35 x 35.6	25W	220-240VAC	>90	Lens 38°	3000K	2150lm
LIN3536G2-25-9NW12	1208 x 35 x 35.6	25W	220-240VAC	>90	Lens 38°	4000K	2250lm
LIN3536G3-25-9WW12	1208 x 35 x 35.6	25W	220-240VAC	>90	Reflector 30°	3000K	2150lm
LIN3536G3-25-9NW12	1208 x 35 x 35.6	25W	220-240VAC	>90	Reflector 30°	4000K	2250lm
LIN3536G4-25-9WW12	1208 x 35 x 35.6	25W	220-240VAC	>90	Reflector 45°	3000K	2150lm
LIN3536G4-25-9NW12	1208 x 35 x 35.6	25W	220-240VAC	>90	Reflector 45°	4000K	2250lm

### Remarks:

- 1.The value is typical,10% tolerance is allowed.
2. 2700K, 6000K, CCT solution is available.
- 3.Customizing length is supported.

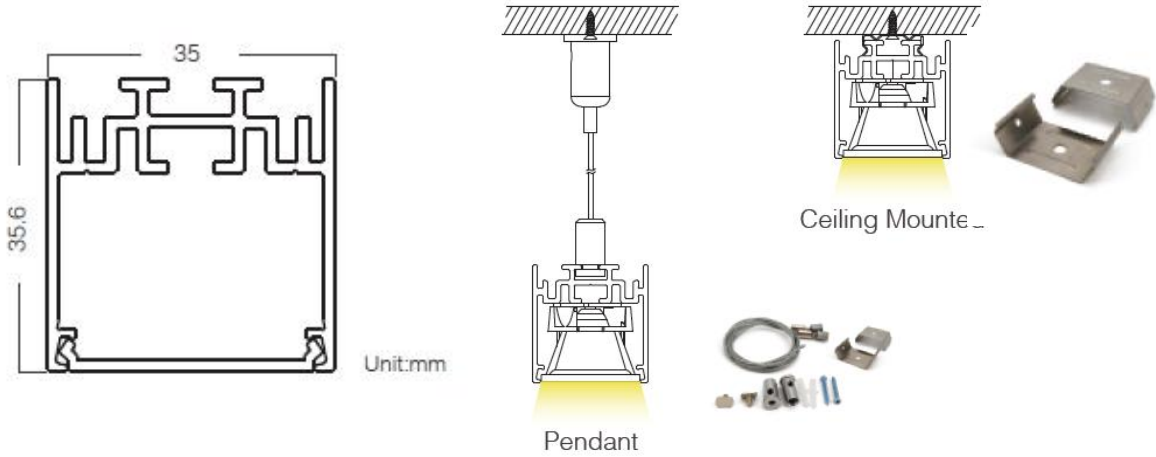
## Beam Angle :



## Structure specification :

Light source	Epistar chips	Finish Color	White,Black,Silver
Driver	External, Lifud/Boke	Installation	Pendant/Mounted
Materials	Aluminum	Dim type	Non-dim/0-10V //Dali
Optics	Lens/ Reflector	IP	IP22

## Dimension and Installation



## Pakcage:

Item No.	Product Dimension (mm)	Qty per carton	Product N.W/pc (Kg)	N.W/ CTN (Kg)	G.W/ CTN (Kg)	Carton dimension ( CM )
LIN3536G-12-9XX12	1208 x 35 x 35.6	9	1.56	14	15.5	126*20*19